

0000 000  
00 000 00 4-12 mm



000 0000 00 0000 00 0000 0000 000 000 0 0000.

RoHS  
compliant

REACH  
COMPLIANCE

00 0 00

- AT-K-M 0000 0000 000 0000 00 0000 0000 0 00
- 000 0? 000 00 000 0
- 00 00 000

00, 00 00

UL94-V0, 00000

-40 C° to 100 C°

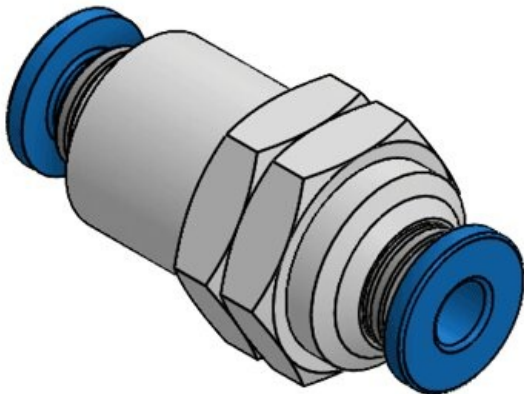
000 00, 00000

00 00

00 000

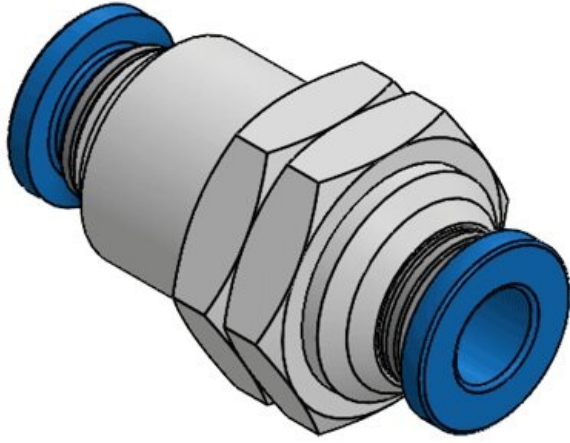
00 00 0 00

0000 000 D4



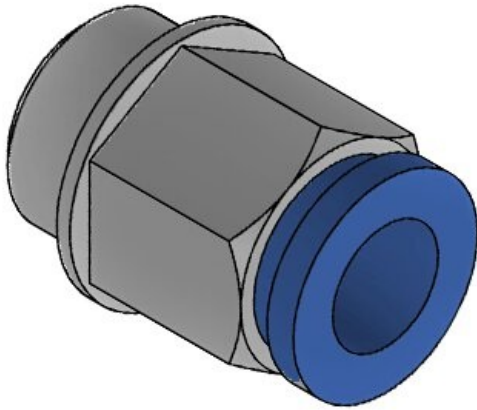
EAN **99210**  
**4251269325**  
**601**  
**10**  
**M12 × 1,0**  
**30,8 mm**  
00 700 0000 **4 mm**

0000 000 D6



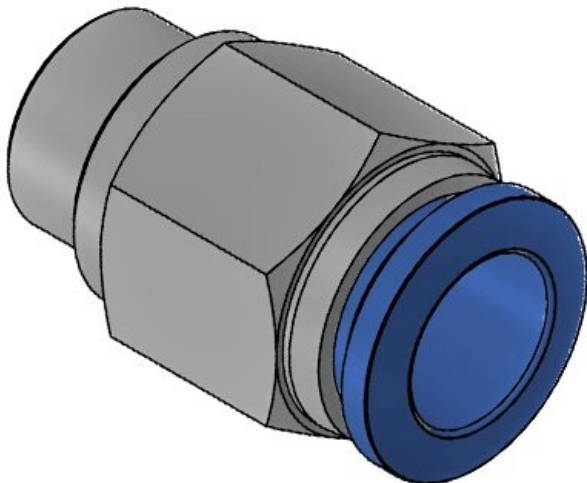
EAN **99211**  
**4251269325**  
**618**  
**10**  
**M14 × 1,0**  
**32,3 mm**  
00 가00 0000 **6 mm**

0000 000 D8

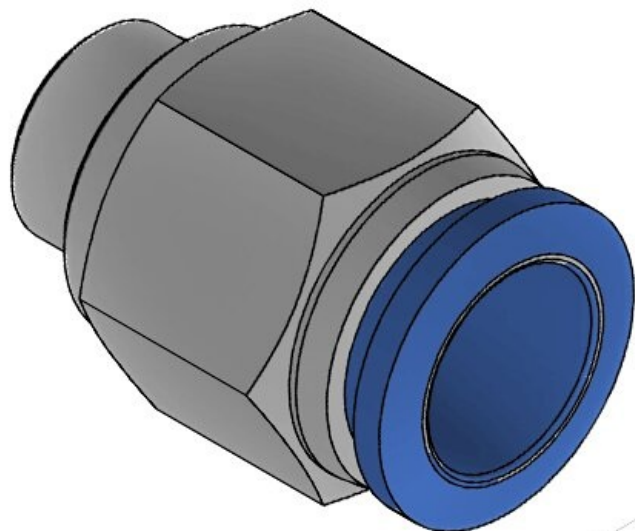


EAN **99227**  
**4251269332**  
**012**  
**10**  
**1/4"**  
**23 mm**  
00 가00 0000 **8 mm**

0000 000 D10



EAN **99228**  
**4251269332**  
**029**  
**10**  
**1/4"**  
**29,5 mm**  
00 가00 0000 **10 mm**



EAN 99229  
4251269332  
036  
10  
1/4"  
31,5 mm  
00 7400 0000 12 mm