

KEA | 90°

90° 24-pin connector / IP66



KEA 24 is a 24-pin connector for 90° connection. It is suitable for use in industrial environments. The connector is made of high-quality plastic and is designed for long-term use.

KEA 24 is available in different versions: KEA 24 W90 R, KEA 24 W90 S, KEA 24 W90 L, KEA 24 W90 M, KEA 24 W90 N, KEA 24 W90 O, KEA 24 W90 P, KEA 24 W90 Q, KEA 24 W90 R, KEA 24 W90 S, KEA 24 W90 L, KEA 24 W90 M, KEA 24 W90 N, KEA 24 W90 O, KEA 24 W90 P, KEA 24 W90 Q.

KEA + ...:

- KEL-ER 24: IP54, IP65
- KEL-U 24: IP54
- KEL 24: IP54
- KEL-DPU 24: IP54, IP65
- KEL-DPZ 24: IP54, IP65, IP66
- KEL-DP 24 B: IP54

IP54

IP65

IP66



ECOLAB certified

RoHS compliant

REACH COMPLIANCE

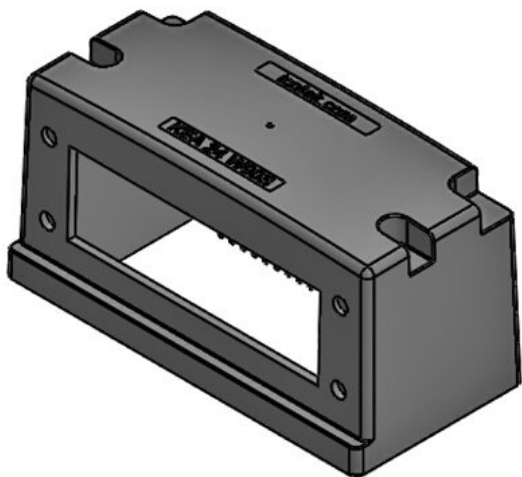
Made in Germany

IP (EN 60529)	IP54, IP65, IP66
	UL94-V0, -40 C° to 120 C°
	RoHS, REACH, Made in Germany
Order code	48301-00-0

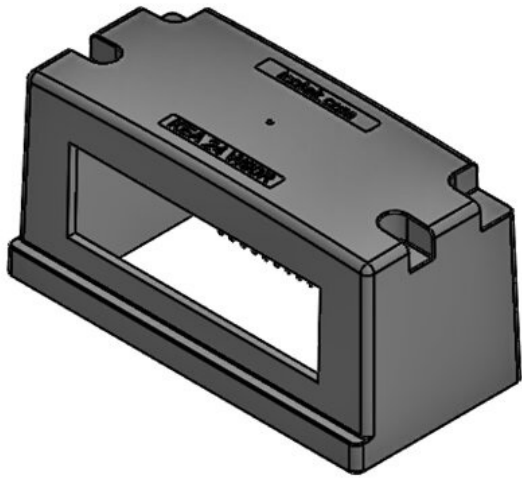
Features

- 90° connection
- 24-pin connector
- IP54, IP65, IP66
- UL94-V0, -40 C° to 120 C°
- RoHS, REACH, Made in Germany
- Order code: 48301-00-0

KEA 90°



EAN	48301 4251269334658	112 x 56 mm
	1	4
	157 mm	6 mm
	75 mm	KEL-ER 24, KEL-U 24, KEL 24, KEL-DPU 24, KEL-DPZ 24
	77 mm	
	77 mm	



EAN

48300

□□ □□□

112 × 56 mm

4251269334641

□□ □□

4

1

□□□ □□

6 mm

157 mm

□□ :

KEL-DP 24 B

75 mm

77 mm

77 mm

□□ □□

icotek[®]
smart cable management