

KEL-BES-S split brush plate

for cable pass-through



RoHS
compliant



Made in
Germany

Split brush plates KEL-BES-S for routing cables into server racks, control panels and electrical enclosures. KEL-BES-S is also an ideal solution for entry and exit of cables that are routed inside raised floors, e.g. in computer centres.

The brush plates can either be mounted via screws or via [expanding rivets](#). Due to the split frame the KEL-BES-S can also be subsequently installed around the routed cables.

The KEL-BES-S frames match exactly the cut-out dimensions for 10-, 16- and 24-pin standard industrial connectors.

Specifications

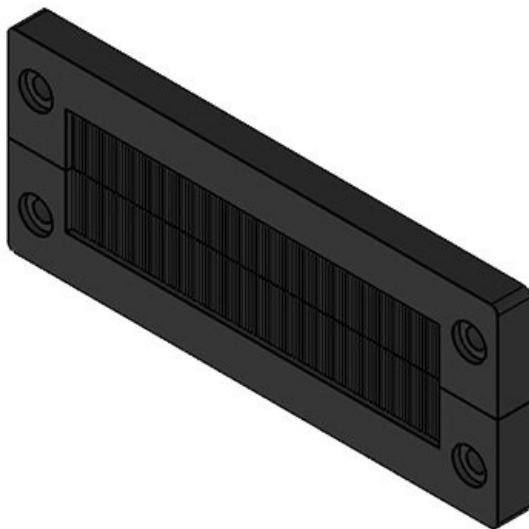
Material	Polyamide Brushes: Polyamide
Flame class	UL94-V0, self-extinguishing
Operating temperature	-20 C° to 90 C°
Properties	silicone free, halogen free
Mounting options	Screw type mounting, Riveting

Advantages & benefits

- Fast and easy assembly
- Subsequent assembly possible
- Versatile utilisation
- Allows reduced airflow while filtering out dust, hair and larger particulate matter
- Visual screening
- Protects cables against wear due to sharp edges of the cut-out

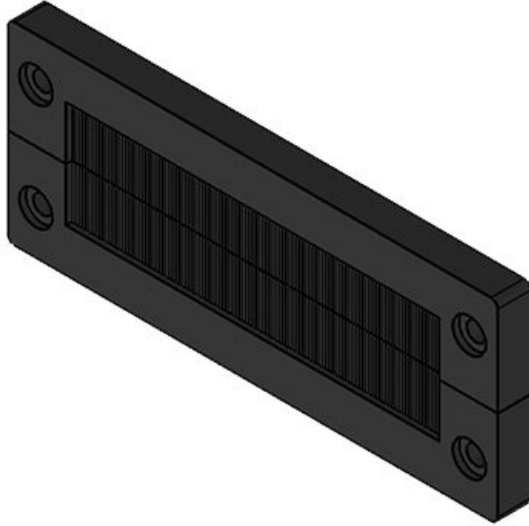
Product types & sizes

KEL-BES-S 24



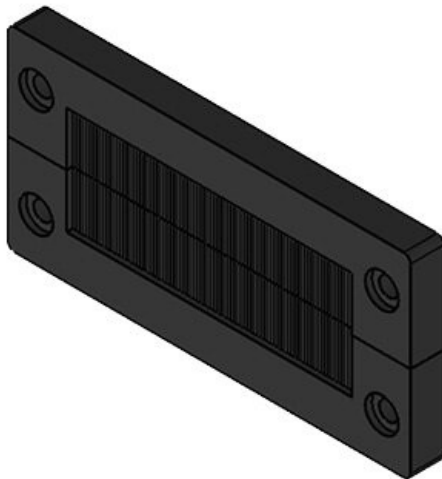
Part No.	51522	Cut-out size	112 × 36 mm
EAN	4251269316	No. of screw holes	4
	609	Diam. of screw holes	5,8 mm
Package quantity	10		
Length	147 mm		
Width	58 mm		
Height	10 mm		
Mounting height	10 mm		

KEL-BES-S 24 with expanding rivets



Part No.	51522.002	Cut-out size	112 x 36 mm
EAN	4251269320	No. of screw holes	4
Package quantity	10	Diam. of screw holes	5,8 mm
Length	147 mm		
Width	58 mm		
Height	10 mm		
Mounting height	10 mm		

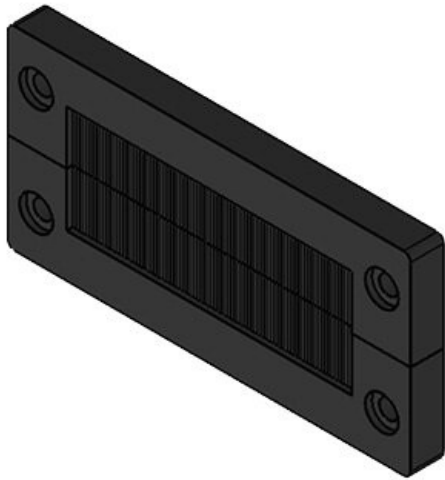
KEL-BES-S 16



Part No.	51521	Cut-out size	86 x 36 mm
EAN	4251269316	No. of screw holes	4
Package quantity	10	Diam. of screw holes	5,8 mm
Length	120 mm		
Width	58 mm		
Height	10 mm		
Mounting height	10 mm		

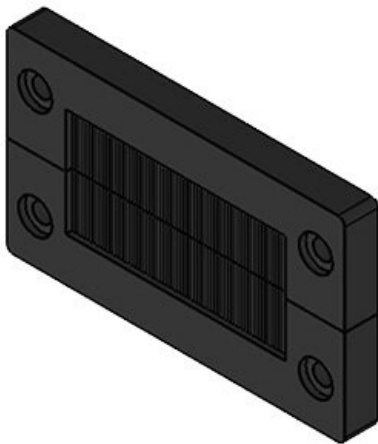
KEL-BES-S 16 with expanding rivets

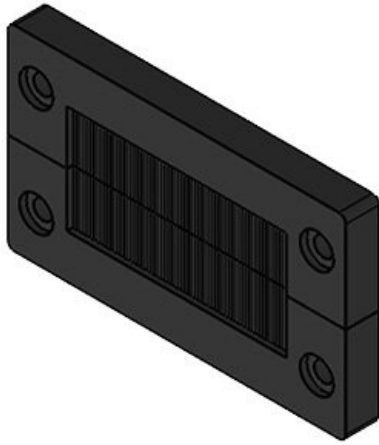
Part No.	51521.002	Cut-out size	86 × 36 mm
EAN	4251269320699	No. of screw holes	4
Package quantity	10	Diam. of screw holes	5,8 mm
Length	120 mm		
Width	58 mm		
Height	10 mm		
Mounting height	10 mm		



KEL-BES-S 10

Part No.	51520	Cut-out size	65 × 36 mm
EAN	4251269316586	No. of screw holes	4
Package quantity	10	Diam. of screw holes	5,8 mm
Length	100 mm		
Width	58 mm		
Height	10 mm		
Mounting height	10 mm		





Part No.	51520.002	Cut-out size	65 × 36 mm
EAN	4251269320	No. of screw holes	4
Package quantity	10	Diam. of screw holes	5,8 mm
Length	100 mm		
Width	58 mm		
Height	10 mm		
Mounting height	10 mm		